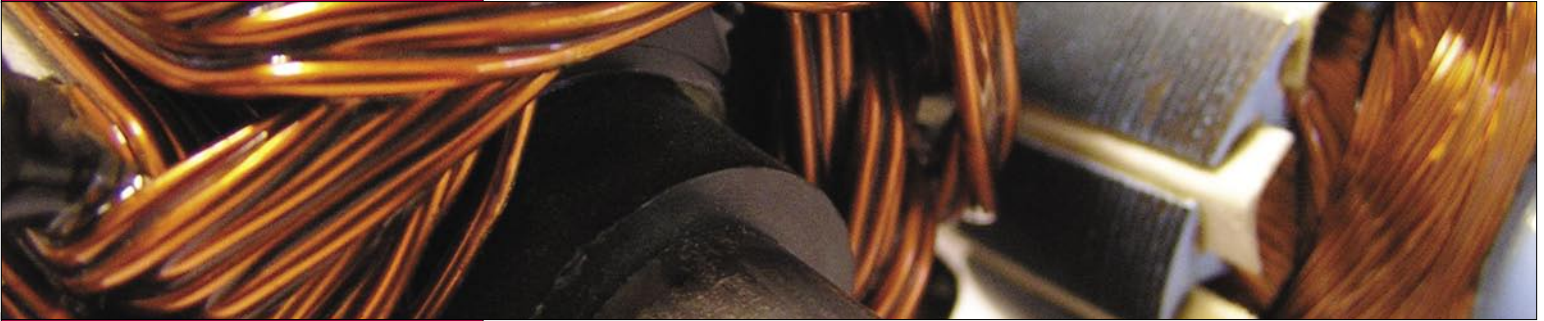


B R O O M F I E L D

TM-25

# TM-25 Trickle Impregnation Machine



## SPECIFICATIONS

The **Broomfield TM-25** Trickle Impregnating Machine is designed to apply resins or coatings to small motor armatures and other products. The operator is responsible for simply loading and unloading parts. The machine is automatically controlled by a programmable logic controller (PLC) that provides for multiple program storage. The machine status and set-up information is displayed on a terminal. Program changes can be easily made in response to menu-driven prompting.

### Features & Benefits:

- Easy changeover.
- Compact design.
- Machine tool collets for firm, accurate parts handling.
- Programmable preheat and cure temperatures.
- Part temperature sensing.
- PLC control.
- Accurate resin application.
- Key lock to prevent unauthorized program changes.
- 30-station turret for 2.6" (66mm) max. diameter armatures.
- Part rejection warning light.

The Broomfield TM-25 Trickle Impregnating Machine features a rotary table with collets to hold 30 armatures. These collets are machine tool grade to ensure that the armatures are held firmly for accurate positioning. In its standard configuration, the machine has one trickle station with dual applicator tubes positional along the armature axis.



B R O O M F I E L D

# TM-25

# TM-25 Trickle Impregnation Machine

### Operation:

During a typical machine cycle, a door automatically opens when the machine is ready to be loaded. The armature then goes into the preheat oven, which raises the temperature of the part for proper resin application. This temperature may be displayed in either celsius or fahrenheit. After preheating, the temperature of each armature is automatically measured. If the part is not at the correct temperature, no coating is applied. This operation also senses if no part is present. In either case, the machine remembers the location of the empty or bad part and turns on a reject part light when that part is ready to be unloaded. After the part is trickled, it indexes to the cure oven where the coating hardens. The temperature of this oven is controlled independently from the preheat oven. Armatures are rotated during the preheat, trickle and cure operations to ensure an even distribution of the resin or coating.

### Power Requirements:

**Electrical:** 460 volts, three phase, 25amps.

Other voltages available.

**Air:** 80 PSI (5.5 bars).

### Overall Size:

72" wide by 39" deep by 72" high.

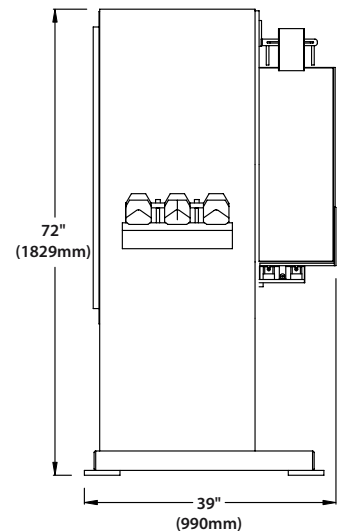
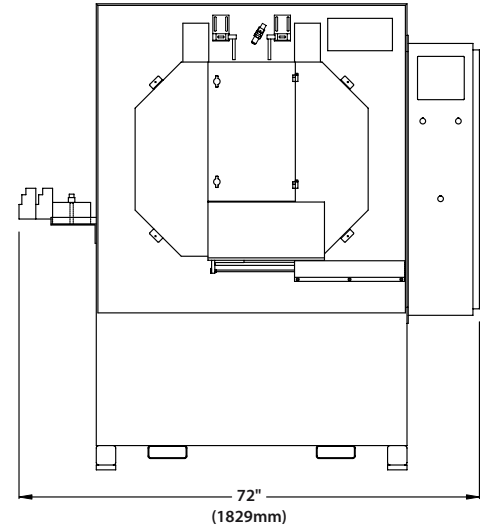
(1,829mm wide by 990 mm deep by 1,829mm high)

**Weight:** 1,600 lbs (725 kg).

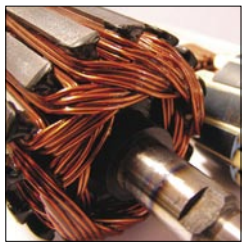
### Options:

- Automatic loading and unloading.
- Oven modifications to meet your product requirements.
- Quick-change collet inserts for adapting to various shaft sizes.
- Second and third trickle stations, each with dual applicator tubes.
- Gel band application equipment.

### TM-25 Model



TRICKLE PROCESS



TRICKLE PROCESS COMPLETED



GEL BAND PROCESS

P.O. BOX 157  
113 STILL RIVER ROAD  
BOLTON, MA 01740-0157 USA  
P: 1-978-779-6600  
F: 1-978-779-2954  
E: info@broomfieldusa.com

WWW.BROOMFIELDUSA.COM

# BROOMFIELD