

B R O O M F I E L D

D E R E E L E R S
T E N S I O N E R S

DT Series Heavy Wire Tensioners



SPECIFICATIONS

The Broomfield **DT Series** Wire Dereeling and Tensioning Stands offer precise variable air actuated tension and they reduce spool over spin when winding stops. Tension force can be regulated from the operator control station. This product is designed and constructed to provide years of low maintenance and trouble-free service.



B R O O M F I E L D

DEREELERS
TENSIONERS

DT Series Heavy Wire Tensioners

Tension Control: An adjustable air pressure regulator with manual shut off switch allows freewheeling of the spool and instant return to the preset tension.

Tensioning Method: Air actuated caliper, 12" (305mm) disk brake.

Spool Capacity: 24" (610mm) maximum diameter, 8" (203mm) - 12" (305mm) width, 450 lbs (205kg) maximum weight.

Spool Hole Size: 1.25" (31.8mm) minimum to 2.25" (63.5mm) maximum.

Input Requirements: Air: 80 PSI (5.5 Bars) at minimal CFM.

Weight: DT-124: 90 lbs (41Kg), DT-224: 180 lbs (82Kg).

Models:

DT-124: Single brake producing up to 40 ft.-lbs. (54Nm) of braking torque.

DT-124DB: Two brakes producing up to 80 ft.-lbs. (108Nm) of braking torque.

DT-124QB: Four brakes producing up to 160 ft.-lbs. (217Nm) of braking torque.

DT-224, DT-224DB, DT-224QB: Each dereeler in the 224 series has two spindles for the support of two spools of wire. The braking specifications are the same for each spindle of the 224 series as they are for the 124 series. Two separate tension controls are provided.

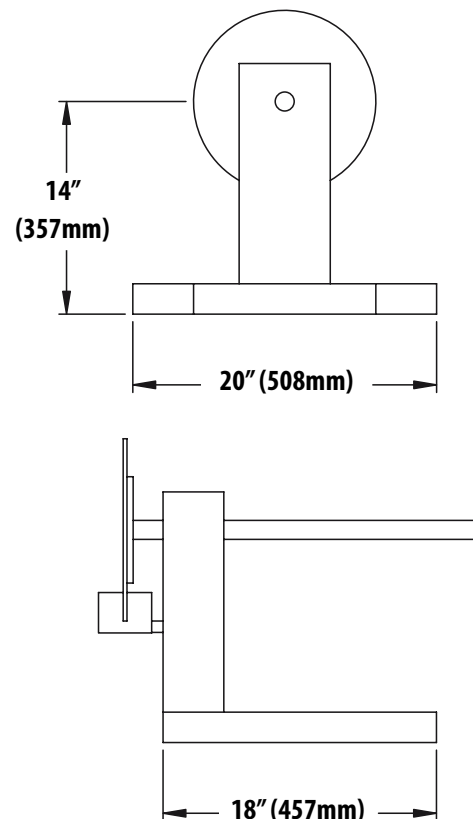
P.O. BOX 157
113 STILL RIVER ROAD
BOLTON, MA 01740-0157 USA
P: 1-978-779-6600
F: 1-978-779-2954
E: info@broomfieldusa.com

WWW.BROOMFIELDUSA.COM

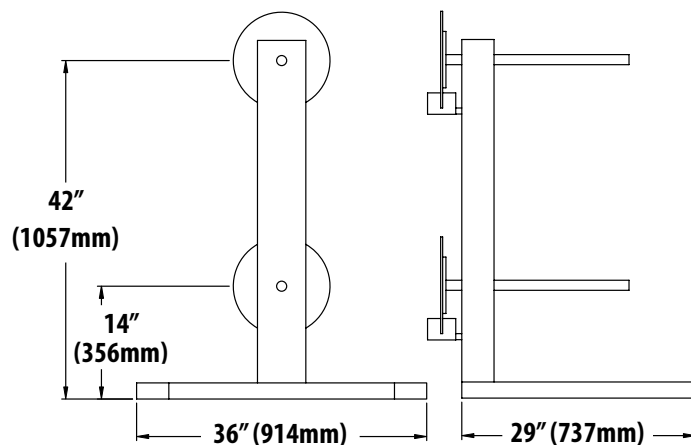
Options:

- Longer shaft model can handle a spool capacity from 8" (203mm) to 15" (381mm) wide and it can support 350 lbs (159Kg) at a spool width of 15" (381mm).
- Modifications for special requirements including multiple spools or larger spool capacities.
- Dereelers powered to pull wire back onto the supply spool.
- Dereelers with dancers to provide constant tension for winding.
- Dereelers with "block and tackle" dancers, powered to unwind and rewind with constant tension.

DT-124 Model



DT-224 Model



BROOMFIELD